



art metal

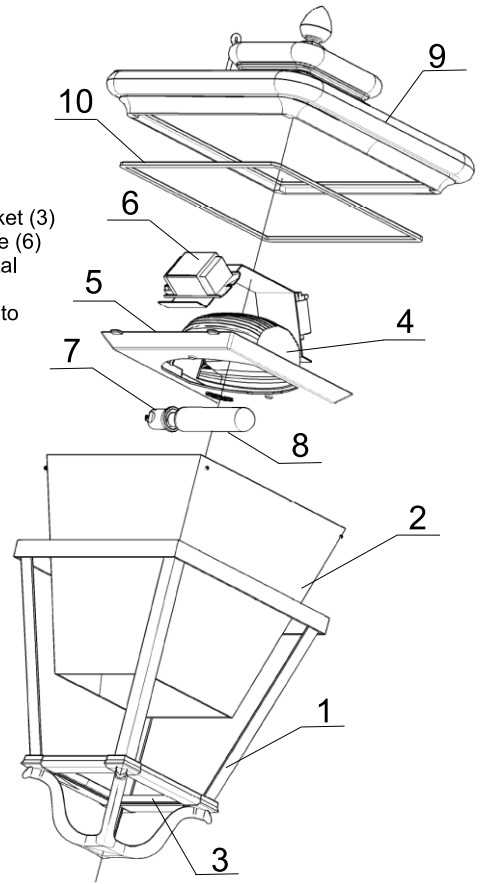
22 SATURN (ODB-10)

Construcion:

The unit consists of a metal basket (1) which holds a shade (2). The shade is sealed by ring gasket (3) from the bottom. A reflector ODB-10 (4) is attached to the basket. A tray (5) with an igniter module (6) and lampholder (7) are mounted on the reflector. A lamp is fitted into the lampholder (8). The metal basket (1) is closed with a decorative top cover (9). Gaskets (10) make the unit weather-tight. A lyre-shaped mounting holder mounted on the basket from the bottom is used to attach the unit to a pole or a bracket.

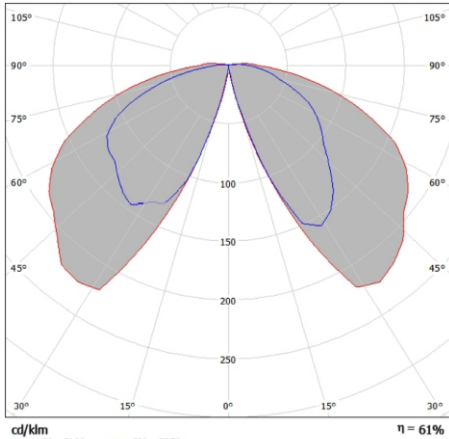
Mounting instruction:

- *) -Put the shade (2) into the basket (1), keeping it tight against the frame with the gaskets (3).
- *) -Attach the tray (5) with the igniter (6) and the lampholder (7) to the reflector (4).
- Attach the reflector (4) and the decorative top cover (9) to the basket (1).
- Put the lamp (9) in position.
- Connect the electrical cables to the terminals of igniter (6).



If any lantern elements are supplied factory-mounted, the mounting stages marked with *) should be omitted (as this has already been done by the manufacturer)

TECHNICAL DATA:



Photometry (polar plot)

Power: ~230/50Hz

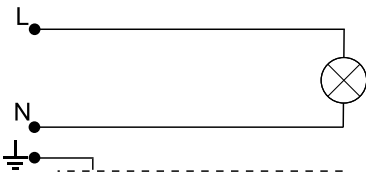
Protective class: I

IP65 -electrical part

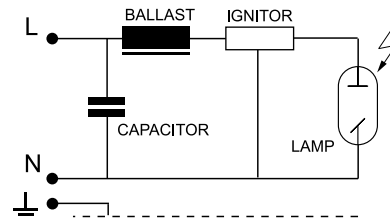
IP65 -optical part



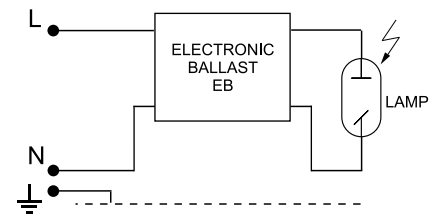
ELECTRICAL DIAGRAM:



1. Incandescent bulb



2. Sodium / metal halide lamps



3. Sodium / metal halide lamps

Type	Light-producing element	Lamp holder	Weight [kg]	Pn [W]		Luminary dimensions	
				IC	EB	Wind area A = 0,27m ²	H/A 690/500
22MH-70W	MH/HSI/HPI	E27	11,4	81	78		
22MH-100W	MH/HSI/HPI	E27	11,5	114	109		
22MH-150W	MH/HSI/HPI	E27	12,2	169	164		
22S-70W	WLS/SHP/SON	E27	11,4	81	78		
22S-100W	WLS/SHP/SON	E40	11,6	114	109		
22S-150W	WLS/SHP/SON	E40	12,3	169	164		
22Z-E/Z	Bulb / MINI-LINX	E27	10,2	Max. 60			

WARNING !! The weight of the unit may slightly differ for individual production batches.

