

# 12 MERKURY LED

**Construction:**

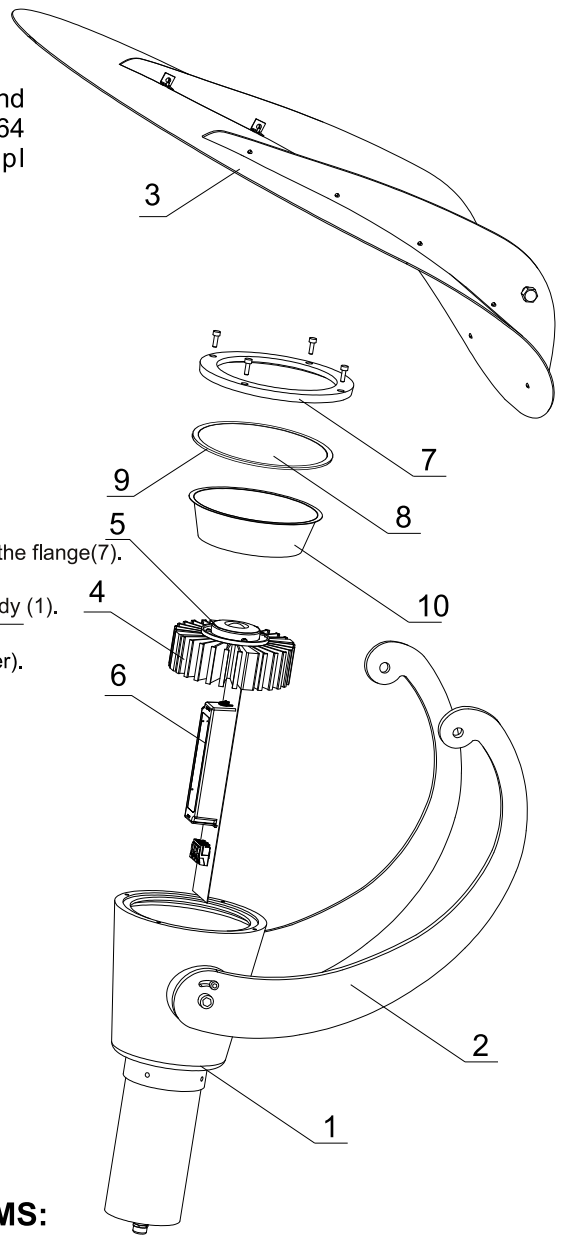
The luminaire consists of a body (1) with a light source, above which with a suport of arms (2), screen is placed (3). Inside the body (1) is a radiator (4) with LED module and silicone lens(5) along with power supply(6).

The body is closed with a flange (7), which presses down tempered glass shade (8) with gasket (9). Flange (7) is tightened with screws. There is a reflector between shade and radiator (10) made out of polished sheet. Luminaire is designed to be mounted on the top of a post, with a tip diameter from 101mm to 114mm.

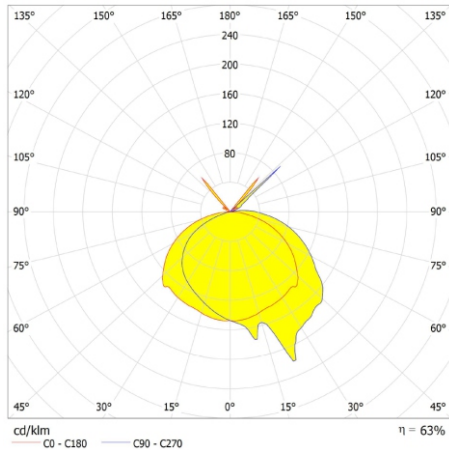
**Mounting:**

- \*)-Combine screen (3) with arms (2) and body (1).
- \*)-Attach the light source inside the body, making necessary electrical connections.
- Insert into the body: (1) reflector (10), shade (8) with the gasket (9), and close entirely with the flange(7).
- Insert the wire into the pole and then put the luminaire on top of it.
- Set the luminaire in the working position, lock it by tightening the clamping screws in the body (1).

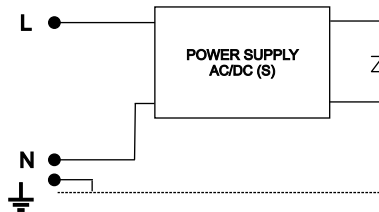
If any lantern elements are supplied factory-mounted, the mounting stages marked with \*) should be omitted (as this has already been done by the manufacturer).



**TECHNICAL DATA:**

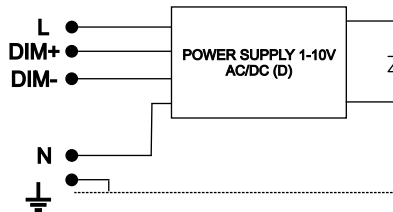


Photometry (polar plot)

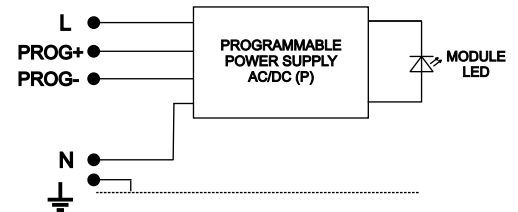


1. Module LED -basic power supply (S)

**ELECTRICAL DIAGRAMS:**

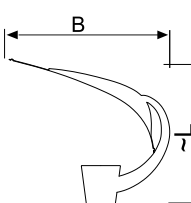


2. Module LED -dimnable power supply (D)

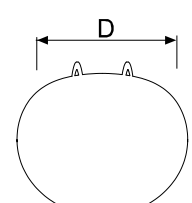


3. Module LED -programmable power supply (P)


Type	Light-prod. element	Luminous flux[lm]		Weight [kg]	Pn [W]	Luminary dimensions		
		3000K (830)	4000K (840)			B	D	H
12 L-22W	CXB2540	2990	3170	11,8	22			
12 L-33W	CMA2550	4286	4609	11,8	33			
12 L-38W	CMA2550	4842	5207	11,8	38			
12 L-50W	CMA2550	6131	6593	11,8	50			
12 L-58W	CMA2550	6896	7415	11,8	58			



Wind area  
A = 0,39m<sup>2</sup>



L/B/D  
785/805/900



**WARNING !!** The weight of the unit may slightly differ for individual production batches.