

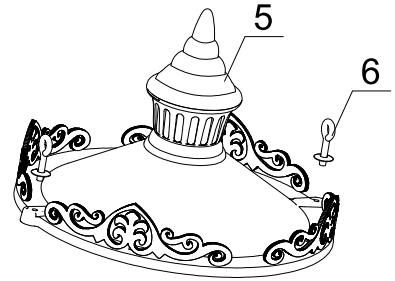


art metal

G05 MINI MARS

F.P.H. Art Metal Sp.j.

Ul. Jabłoniowa 124, 83-331 Łapino Kartuskie, Poland
Tel. 0048 58 681 80 78, Fax: 0048 58 681 80 64
www.art-metal.pl e-mail: biuro@art-metal.pl

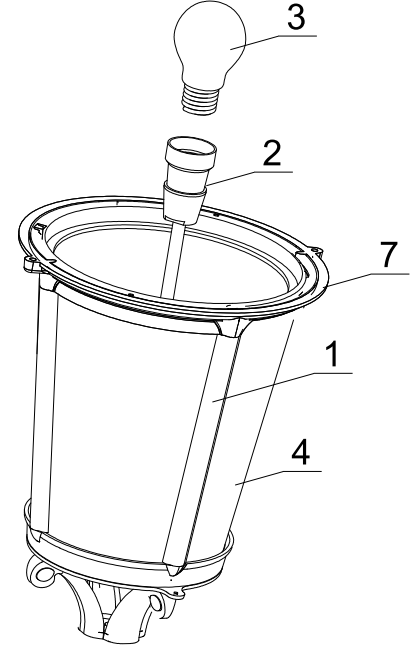


Construction:

Unit consists of an aluminum basket (1) with a lamp holder (2) fixed inside.
Light source (3) is mounted in the lamp holder (2). A plastic globe (4) is placed inside the basket (1).
The basket is closed with a decorative cover (5) with two bolts (6). Gaskets (7) make the unit water-tight.

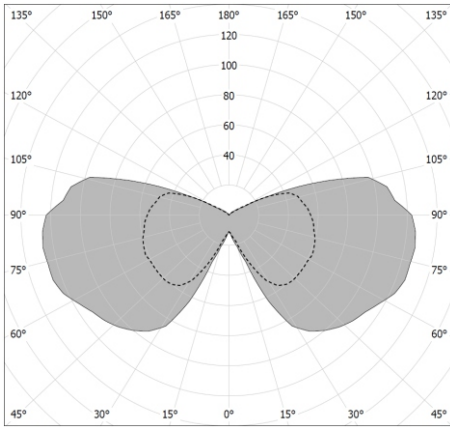
Mounting instructions:

- *) - Put a globe (4) inside the basket (1)
- *) - Mount a lamp holder (2) to the basket (1), connect the cables.
 - Mount a light source (3) in the lamp holder (2)
 - Close the cover (5) and tighten the bolts (6) with a hand.
- The luminaire is fixed to the pole depending on the type of mounting:
M20 thread (suspended), direct to the pole or on an outrigger $\varnothing 45\text{-}\varnothing 90$.



If any lantern elements are supplied factory-mounted, the mounting stages marked with *) should be omitted (as this has already been done by the manufacturer)

TECHNICAL DATA:



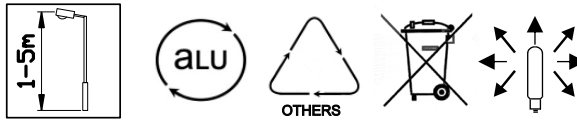
cd/klm
C0 - C180 C90 - C270
Photometry (polar plot)

Power: ~230/50Hz

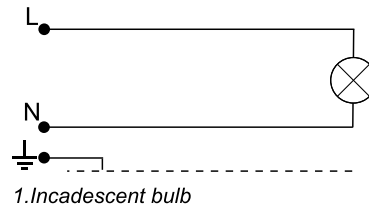
Protective class: I

IP54 -electrical part

IP54 -optical part



ELECTRICAL DIAGRAM:



1. Incandescent bulb

Type	Light-producing element	Lamp holder	Weight [kg]	Pn [W]	Luminaire dimensions
G05 Z-E/Z	Bulb / MINI - LINX	E27	2,5	Max. 60	Wind area $A = 0,1\text{m}^2$ $\varnothing D$ L/D 485/250

WARNING !! The weight of the unit may slightly differ for individual production batches.

